

Please Approve this Drawing

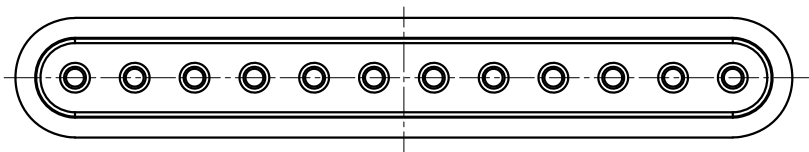
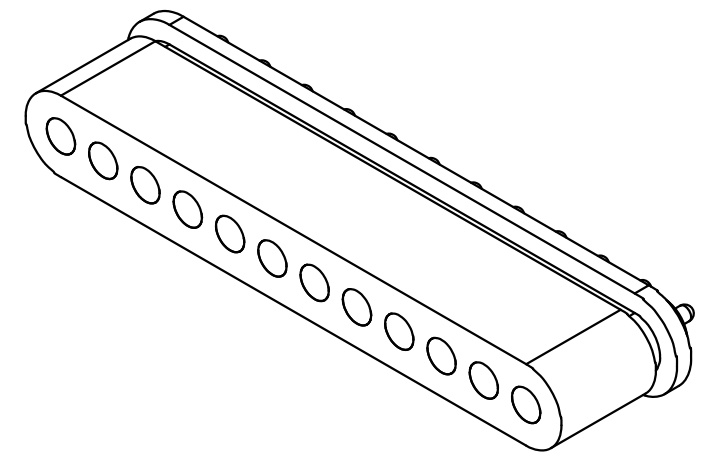
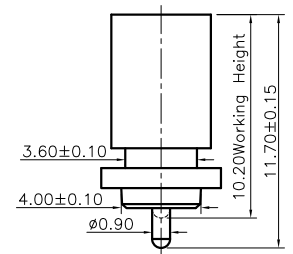
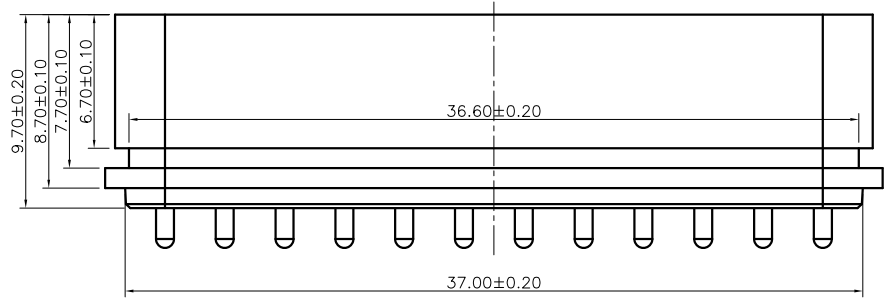
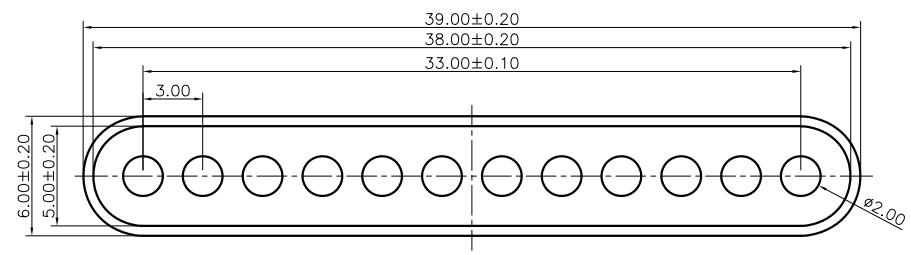
Date

Signature

NO.	Part Name	Q'TY	Material	Plated surface
1	Plunger	12	Brass	AU 3U" MIN OVER 50~120 U" NI
2	Barrel	12	Brass	AU 5U" MIN OVER 50~120 U" NI
3	Spring	12	SUS	N/A
4	Housing	1	PC+ABS; UL94 V-0 Color Black	

NOTES:

- Electrical
  - .Rated Current & Voltage : DC 12 V ; 1.0A Max.
  - .Contact Resistance: 50 mohm maximum at Working Height(Quiescence)
- Mechanical
  - .Full store: 2.00 mm
  - .Working Store: 1.50 mm
  - .Spring Force: 100gf±20gf at Working Height
  - .Durability:10,000 cycles(minimum)
- Environmental
  - .Operating Temperature: -20°C~+60°C
  - .Humidity Range: 10%RH~90%RH
  - .Salt Spray: 48 Hours
  - .Dustproof and waterproof: IP65
- When the current is greater than 1A then need to increase the time delay circuit(3 second)
- To avoid arcing issue, The adaptor start to power supply after connector mated fully.
- To ensure the best usage,please operate it based on the working height.
- .RoHs&HF compliant product.



DRAWN	lys	DATE	2021.09.13		东莞市双盟电子有限公司	
CHECKED		SCALE	10:1	VER. A.0		
APPROVED		TITLE	pogo pin connector.		Ang:	Dim:
PROJECT		DRAWING NO.	PPM.12-505-0502		0 ±1°	0 ±0.20
SHEET	1 of 1	UNIT	mm		.0 ±0.5°	.0 ±0.15
					.00 ±0.25°	.00 ±0.10

VER.	DESCRIPTION	ECN NO.	DATE